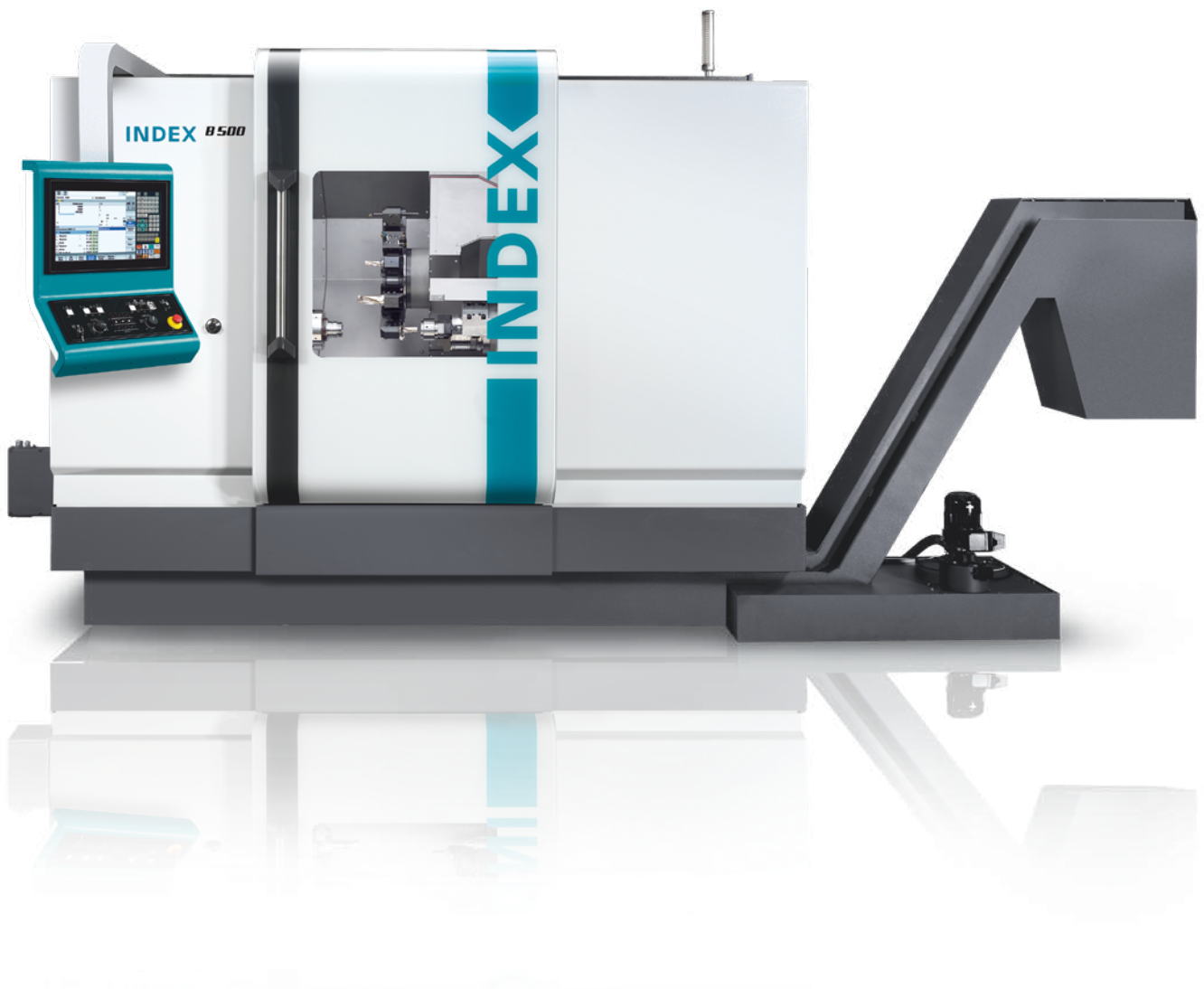


B400, B500

*Universal lathes for
precise and powerful cutting*

INDEX



better.parts.faster.

Universal turning at the highest level

The INDEX B400/B500 universal lathe impresses with its innovative machine layout and raises universal turning to a new dimension.

The stiff and vibration-damping machine bed in mineral cast block-unit design ensures ideal results when machining complex workpieces from batch size 1.

With a high spindle torque up to high spindle speeds, even difficult-to-cut materials can be machined powerfully and reliably. A particular feature of the INDEX B400/B500 is the completely newly designed and clearly structured work area for a variety of applications.

A turning length of up to 1,200 mm allows for a variety of machining options. With the optionally available counter spindle, rear-end machining can be carried out with high precision.

The ergonomic design ensures quick setup and easy control of the machine.

The proven INDEX iXpanel operating concept and the 18.5" touch monitor provide the operator at any time with all relevant data for economical production and access to networked production.

The machine concept

- Clearly structured and ergonomically advanced work area concept
- Rigid mineral cast bed in 45° block-unit design for high accuracy
- Work spindle with belt drive for high torques
- Spindle head A8 / A11, spindle clearance dia. 82 / 102 mm, chuck up to dia. 315 / 400 mm
- Generously designed bed guides
- Radial turret for 18 tools with VDI 30/VDI 40 mounting and W-serration for high process reliability or disk-type turret for 12 tools with VDI 40 mounting (in combination with tailstock only).
- Orthogonal, linear Y-axis for high accuracy
- Large axis travels X 360 mm / Y ±60 mm / Z 750 mm
- Options
 - Long version with a turning length of up to 1,200 mm
 - Counter spindle with A6/A8 interface
 - NC tailstock with electrically controlled axis
 - Steady rest, electronically positionable
 - Bar package with short bar loader
 - INDEX EcoFluid
 - Workpiece handling

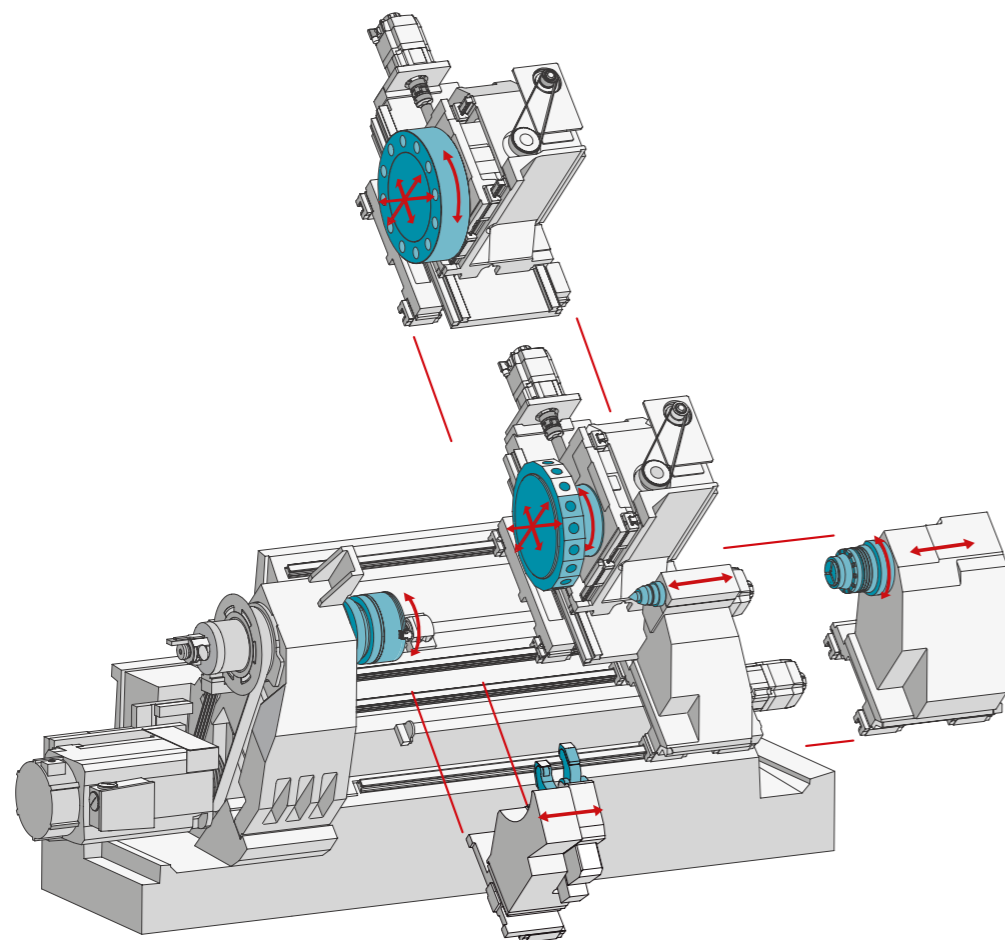


Clearly structured machine design and versatile applications

The INDEX B400/B500 represents a logical further development of proven manufacturing solutions within the INDEX Group. Individually equipped, this very flexible universal lathe takes its place both in tooling and prototyping, but also in medium and high-volume production.

Decades of know-how is reflected in numerous design details, such as in a pocket in the panel above the main spindle which ensures collision-free use of long boring bars.

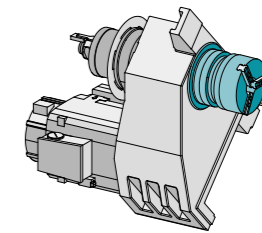
INDEX B400/B500 modular system



The components

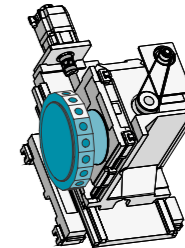
Main spindle (B400/B500)

- Spindle clearance dia. 82 / 102 mm, chuck up to dia. 315 / 400 mm
- Max. speed 4,000 / 3,150 rpm
- Spindle power 24 / 37.5 kW (40% DC)
- Torque 480 / 1,020 Nm (40% DC)
- Holding brake for indexing the axis



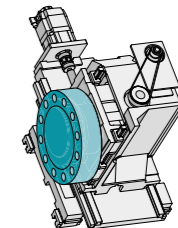
Radial turret

- 18 live tool stations
- VDI 30 / 40 according to DIN 69880 with patented W-serration
- X 360 mm / Y ±60 mm / Z 750 mm (long version Z 1,250 mm)
- Machining possible up to 70 mm below center of rotation*
- 6,000/5,400 rpm, 9.5/16.5 kW, 19.5/37 Nm (25% DC)



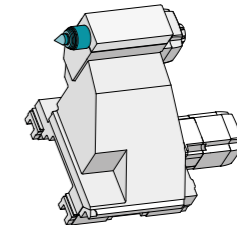
Disk-type turret

- 12 live stations, VDI 40 DIN 69880
- X 360 mm / Y ±60 mm / Z 750 mm
- Machining possible up to 60 mm below center of rotation
- 5,400 rpm, 9 kW, 37 Nm (25% DC)



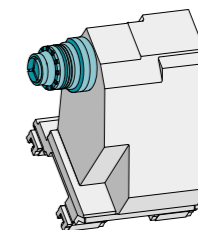
NC tailstock

- Electronically freely positionable
- Generously dimensioned roller guides
- Electronically adjustable pressing force up to 10,000 N
- Cone center MK5 / SK 30
- Rapid traverse rate 8.5 m/min



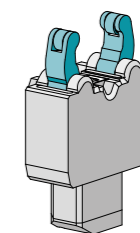
Counter spindle

- Spindle clearance dia. 65 / 82 mm, chuck up to dia. 175 / 250 mm
- Max. speed 4,000 / 3,150 rpm
- Spindle power 11 / 11 kW (40% DC)
- Torque Nm 126 / 220 (40% DC)
- Holding brake for indexing the axis



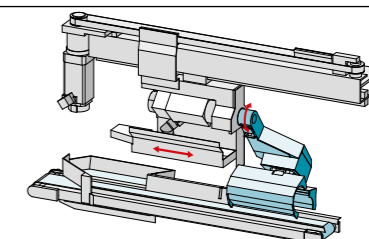
Steady rest (option)

- Electronically positionable
- NC-programmable
- Clamping range 8 - 101 mm/12 - 152 mm



Workpiece handling unit (option)

- Diameter dia. max. 82 / 102 mm
- Max. length 250 / 250 mm
- Max. weight 10 kg



* (on the main spindle)

Ideal for a wide range of parts

With the INDEX B400/B500 universal lathe, a wide variety of workpieces can be machined from bars of up to dia. 82/102 mm and in the chuck up to dia. 315/400 mm.



Shaft

C45
dia. 65 mm x 400 mm



Sleeve

25CrMo4
dia. 250 mm x 230 mm



Ball screw nut

20NiCrMo2-2
dia. 78 mm

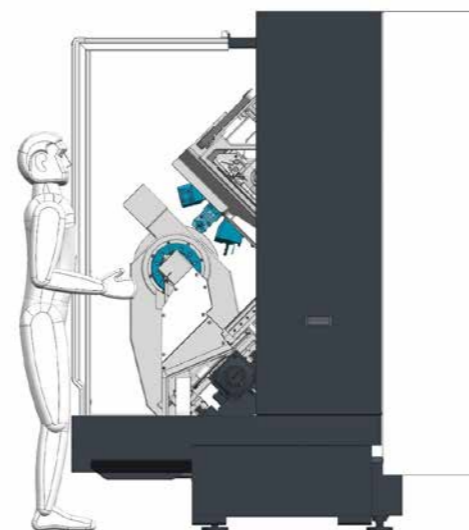
The ergonomic operating concept

The generously dimensioned work area ensures best accessibility for setup of the INDEX B400/B500.

The main spindle and tool turret can be accessed easily, enabling fast setup and changeover. The sophisticated work area concept with steep-sloping and smooth covers provides for an ideal chip flow and prevents chip nests.

Highlights

- Fast setup
- Excellent access to the work area
- Optimized chip flow



The principle of W-slots

The patented INDEX W-serration on the tool holders and radial turret ensures high repeatability when changing tools.

- Tool mounting VDI 30 / VDI 40
- Short tooling/setup times
- High change accuracy with long fixing grooves
- Extended life of cutting inserts
- DIN 69880-compatible
- Suitable for stationary and live tools



ATC measuring device

Fast and precise tool measurement directly in the machine

- Fast tool measurement in the machine
- Measurement of multi-tool holders possible
- Automatic transfer of the correction values to the controller
- Damage detection on the cutting edge with enlarged, optical display
- Very high accuracy due to direct measurement in the configured machine
- No separate presetting unit required



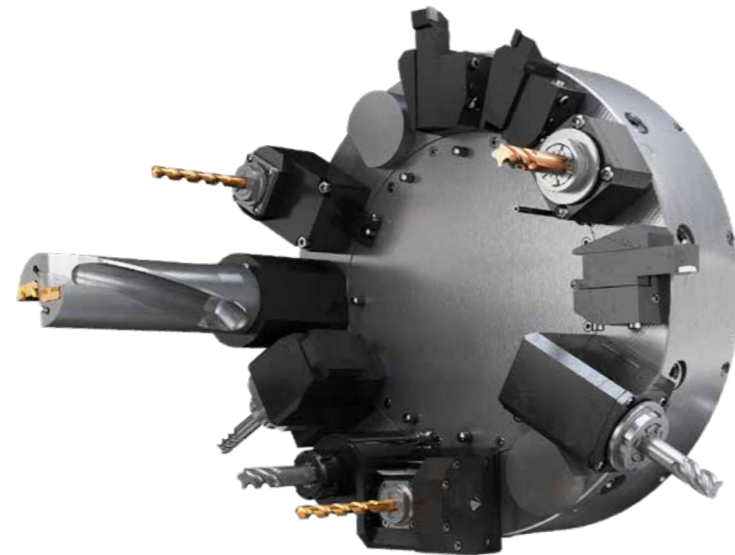
The available tool carriers

Two different tool carriers are available for the INDEX B400/B500.
Up to 12/18 stationary or live tools can be installed on the tool carriers.

Disk-type turret—the tried and tested TRAUB classic

The disk-type turret is excellently suited for powerful machining due to its design aligned to the main spindle.

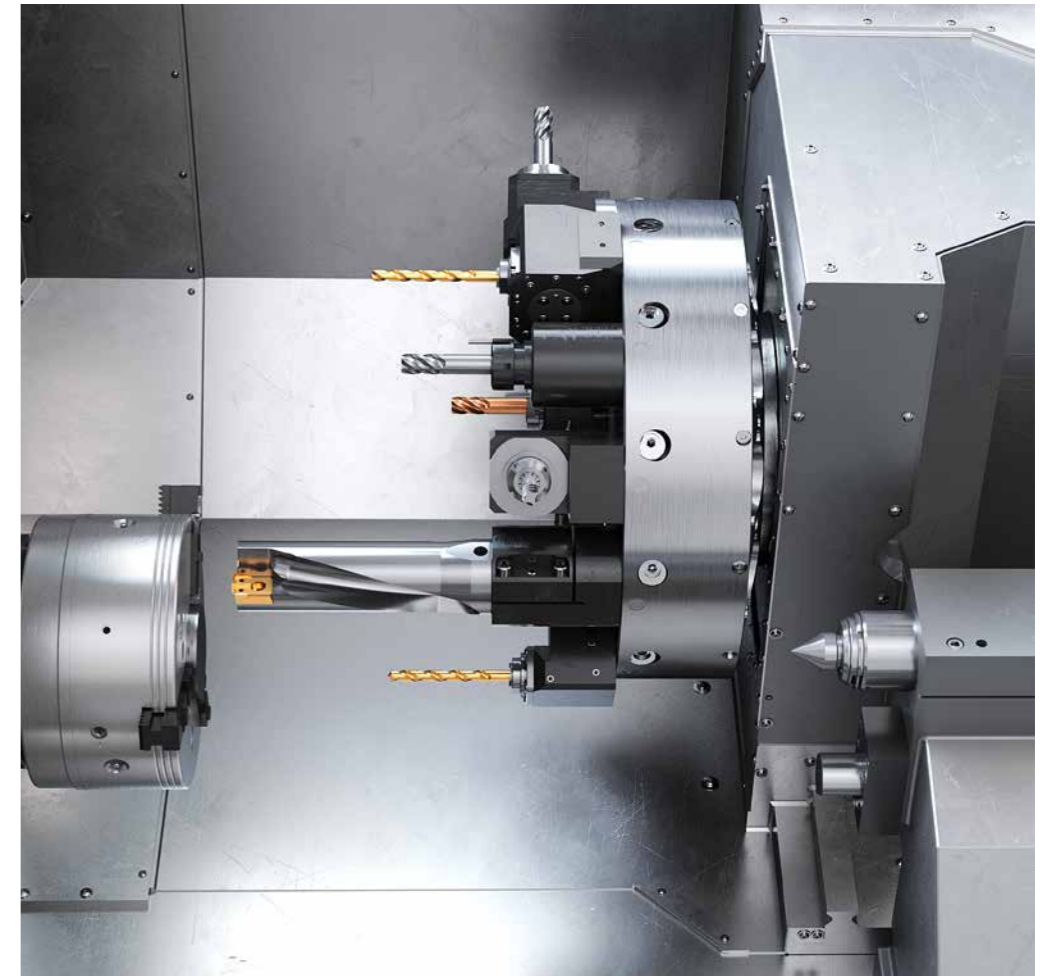
- Tool mounting VDI 40
- Ideal for use of large solid drills, as the forces can act directly on the workpiece
- High stability owing to direct force flow
- 12 stationary or live tools



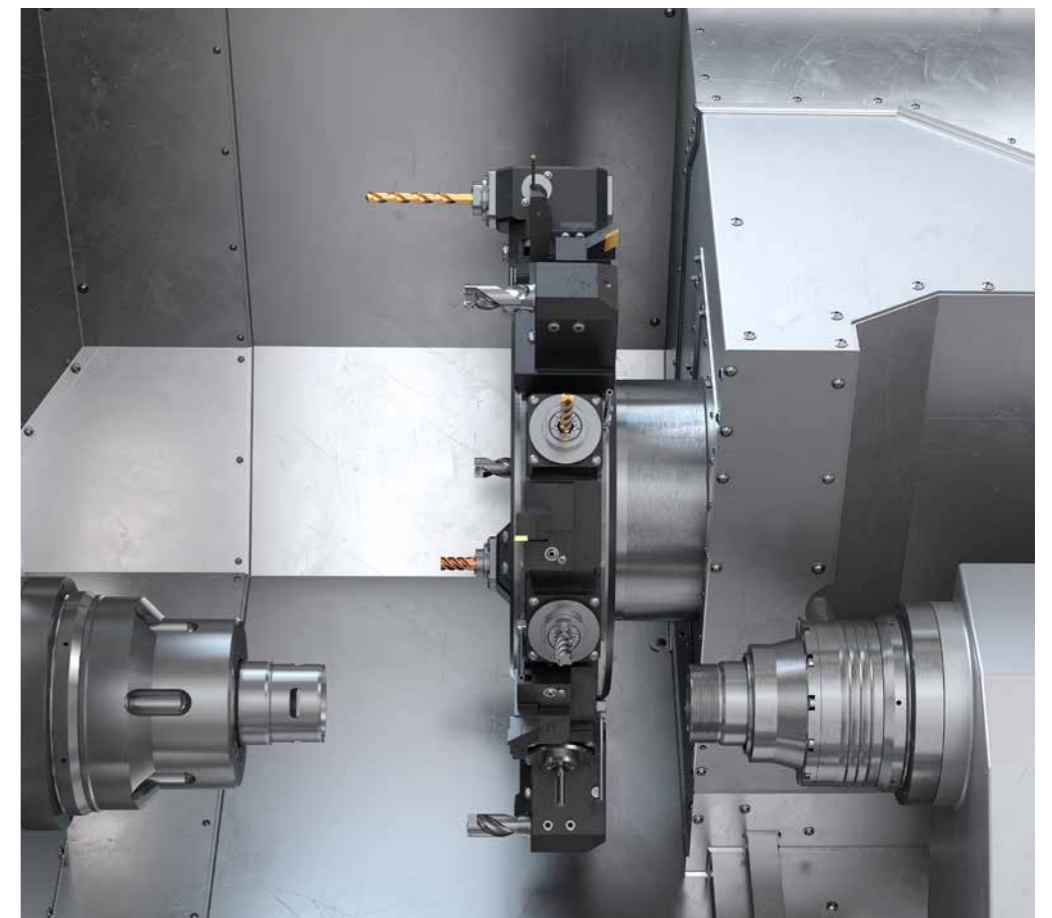
Radial turret—with patented INDEX W-serration

The radial turret stands out with its patented INDEX W-serration and ensures high repeatability during tool changes.

- Tool mounting VDI 30 / VDI 40
- Short tooling and setup times
- High change accuracy with W-slots
- Extended life of cutting inserts
- DIN 69880-compatible
- Rear-end machining possible
- Up to 18 tools for numerous machining options on main and counter spindles



Work area
INDEX B400/B500
with main spindle, tailstock,
and disk-type turret



Work area
INDEX B400/B500
with main spindle, counter
spindle, and radial turret

***X*center Robot cell**

Intelligent automation— even more flexibility and efficiency

With the optional robot cell iXcenter, blanks and/or finished parts can be supplied and discharged quickly, safely and flexibly. The robot cell is docked ergonomically to the machine. It can be moved easily to the right during the setup process, allowing unobstructed access to the work area. During production, the iXcenter is fixed in front of the machine's work area. The robot then accesses the work area via the machine's work area door, which opens automatically behind the robot cell.



Ready to go

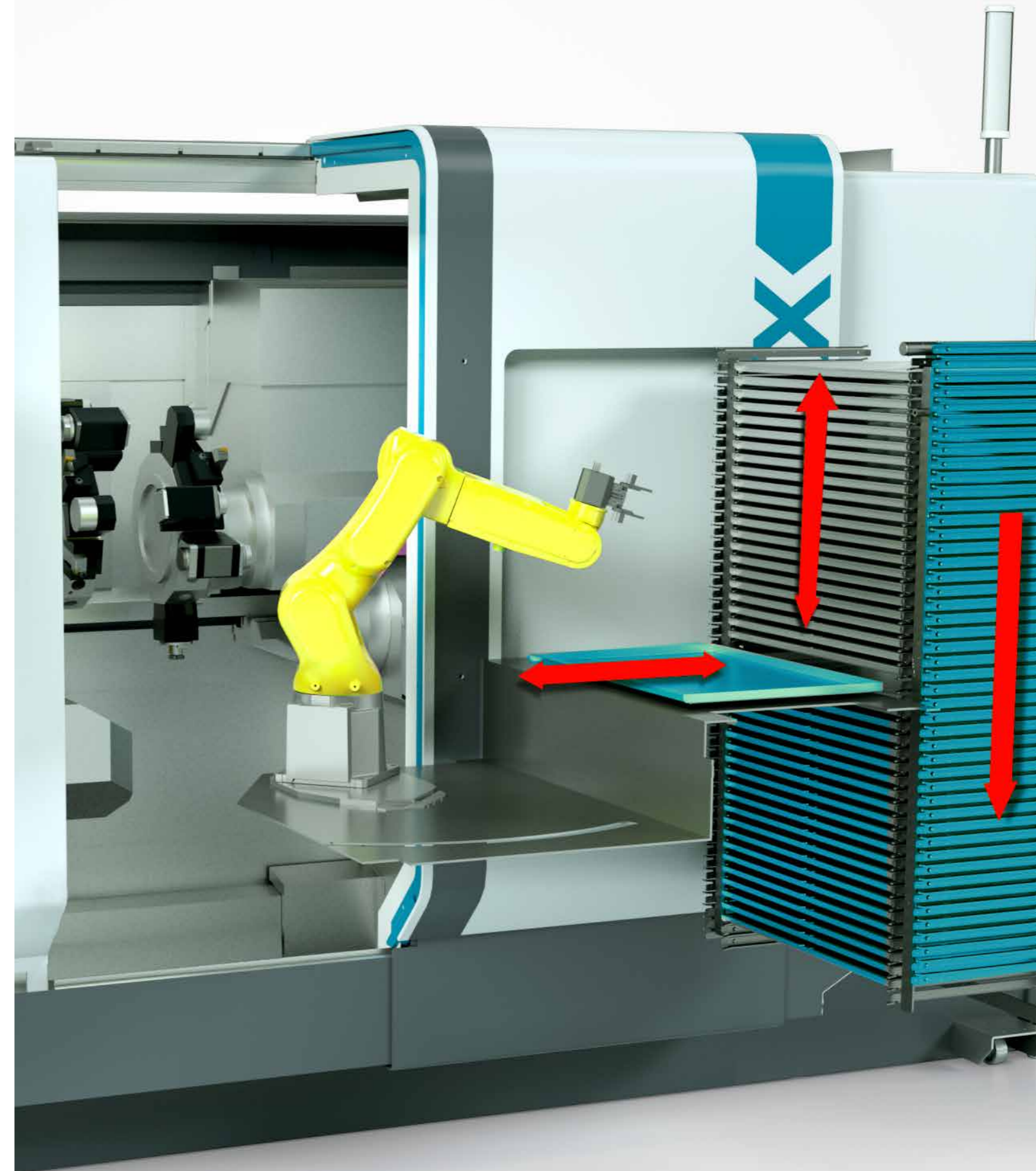
- 6-axis robot for up to 7 kg payload with integrated gripper control
- Double gripper included as standard
- 22 pallets (without work-piece-specific inlays) are included as standard
- Easy in-house relocation possible

Unlock more potential

Downstream processes, such as cleaning, measuring, and deburring, can be integrated in the robot cell.

Simply good handling of blanks and finished parts

- Space-saving vertical storage with up to 22 pallets stacked up
- Pallet size 600 x 400 mm
- Minimum pallet height 25.4 mm
- Pallets with blanks are loaded at the bottom, pallets with finished parts are removed at the top – at any time without interrupting production
- Pallets are inserted/removed by the robot
- Easy macro-programming





The cockpit for easy integration of the machine in your business organization

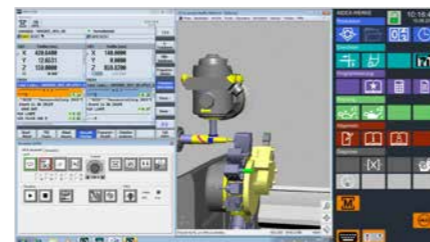
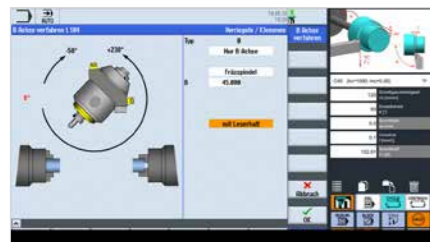


Focus on production and control—Industry 4.0 included

The iXpanel operating concept provides access to networked production. With iXpanel, your operators always have all relevant information for efficient production right at the machine. iXpanel is included with the standard version and can be enhanced with custom options. You can use iXpanel just as you require it for your business organization—that's Industry 4.0 tailored to suit your needs.

Future-proof:

iXpanel integrates the latest control generation SIEMENS Sinumerik 840D solution line. Use iXpanel intuitively via an 18.5" touchscreen monitor.



Productive

Achieve maximum performance with comprehensive technology cycles and programming screens, e.g., for optimum turning, milling, and drilling, especially when using several tools simultaneously.

Intelligent.

The machine always starts with the control home screen. Other functions can be displayed on a second screen at any time, and operators can enjoy direct, activity-related assistance already with the standard version, such as workpiece drawings, setup lists, programming aids, documentation, etc., and all this right at the machine.

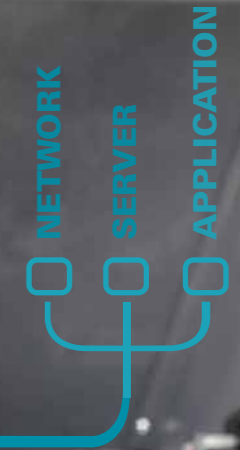
Virtual & open

With the optional VPC box (industrial PC), iXpanel opens up the world of the virtual machine with the 3 operating modes

- CrashStop
- RealTime mode
- Independent simulation (VM on board) directly in the control system

Thanks to the VPC box, the machine can be integrated into your IT structure without any restrictions.

INDEX B400



CUSTOMER

18.5" TOUCHSCREEN MONITOR

STANDARD included as standard

OPTION

Industry 4.0 features

Order documents	Customer data	Workpiece counter	Production Status	Drawings	Setup sheet
Notes	Information center	Maintenance & care	User management	Technology computer	Programming help

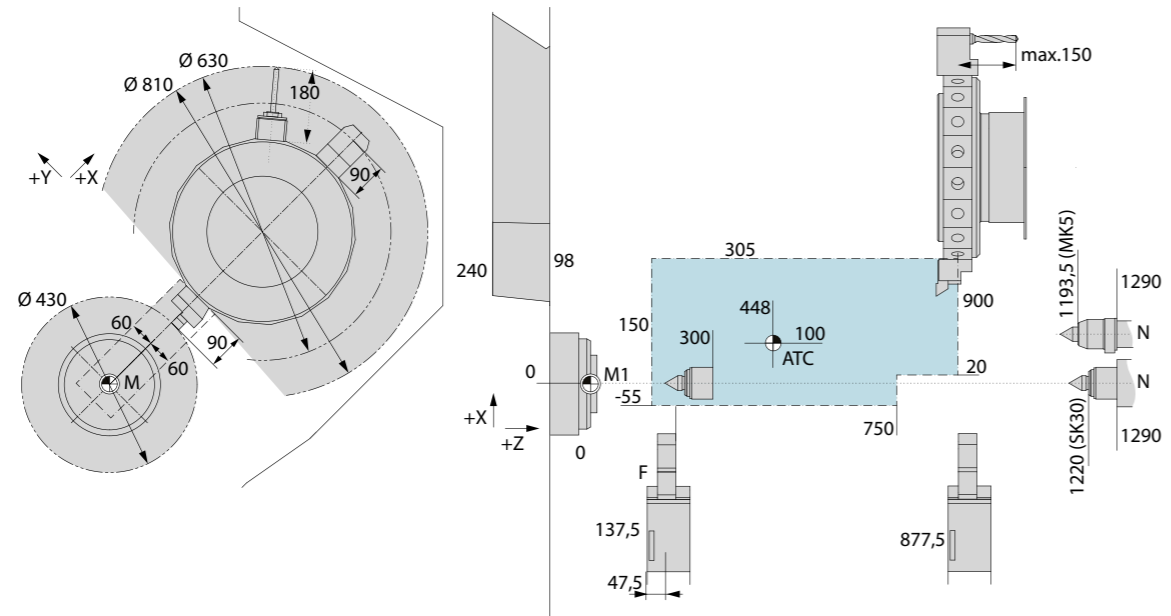
VPC Box	Virtual machine 3D simulation
VirtualPro programming studio	Custom applications

+ many more standard features

INDEX B400

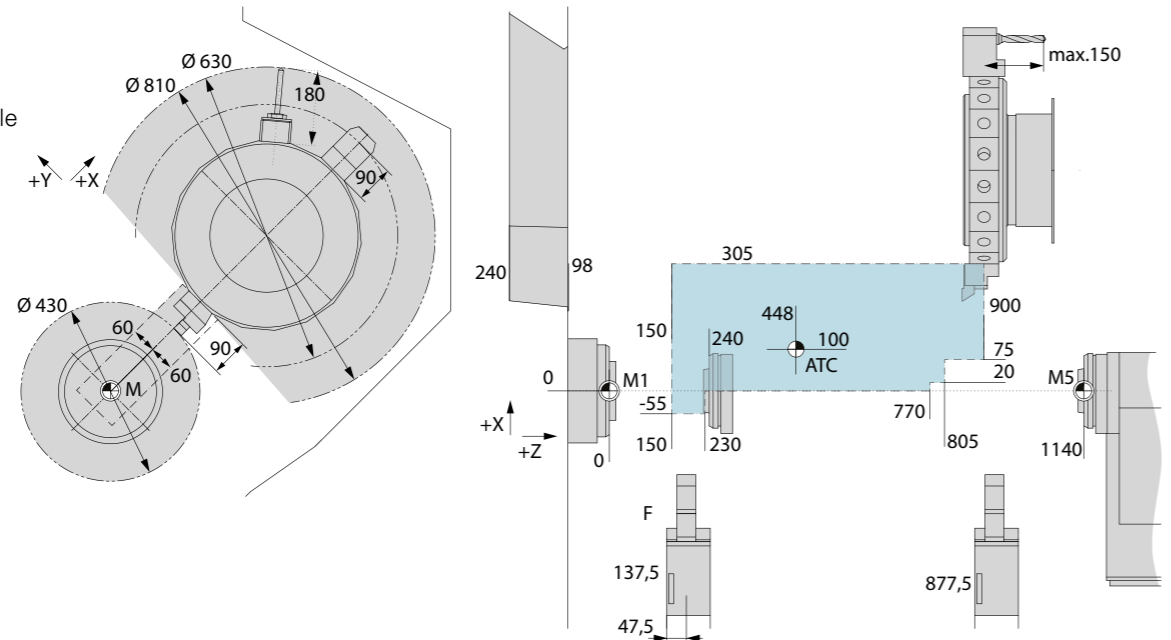
B400 work area

VDI 30 radial turret with tailstock



B400 work area

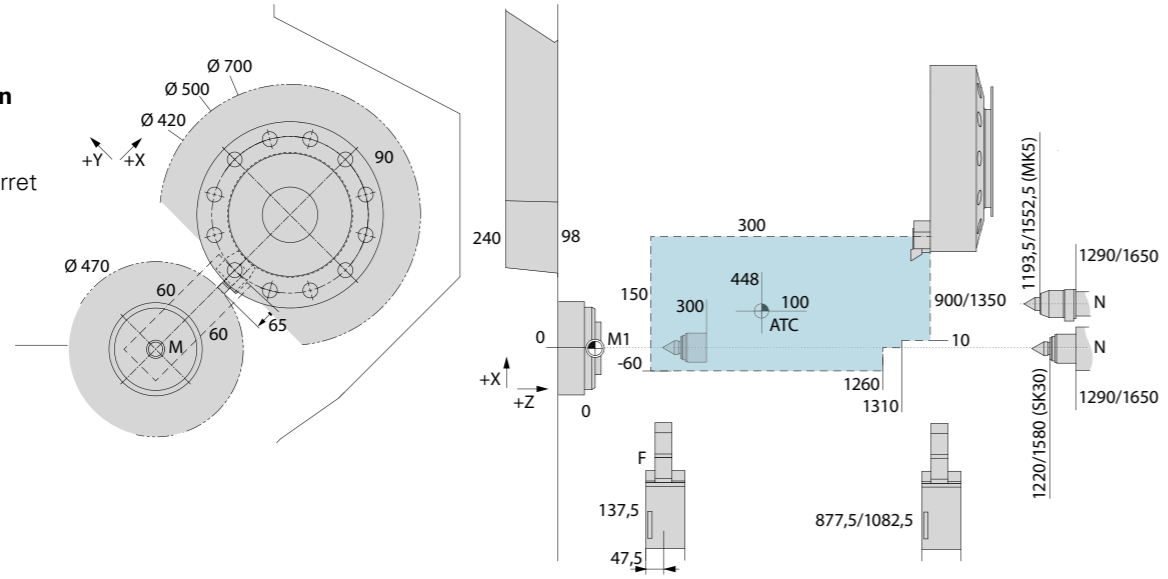
VDI 30 radial turret with counter spindle



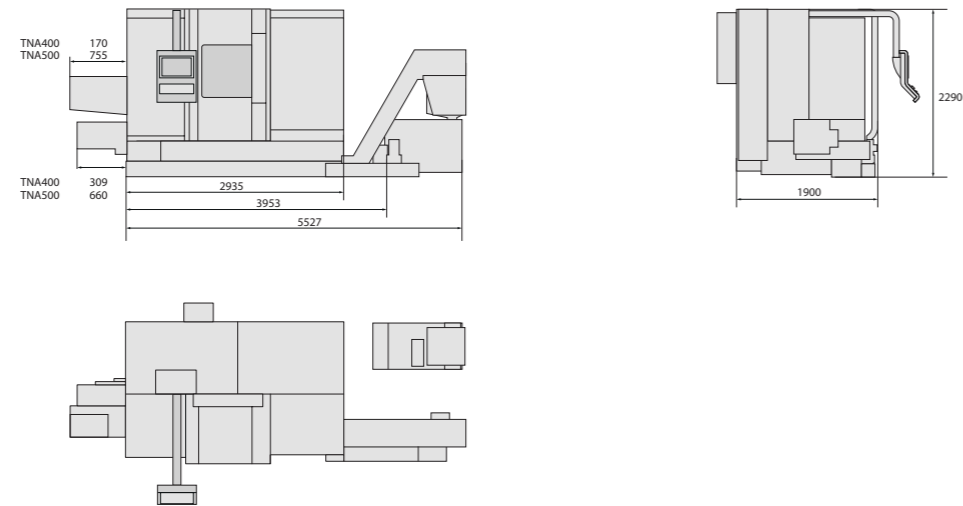
INDEX B400, B500

**Work area
Short/long version**

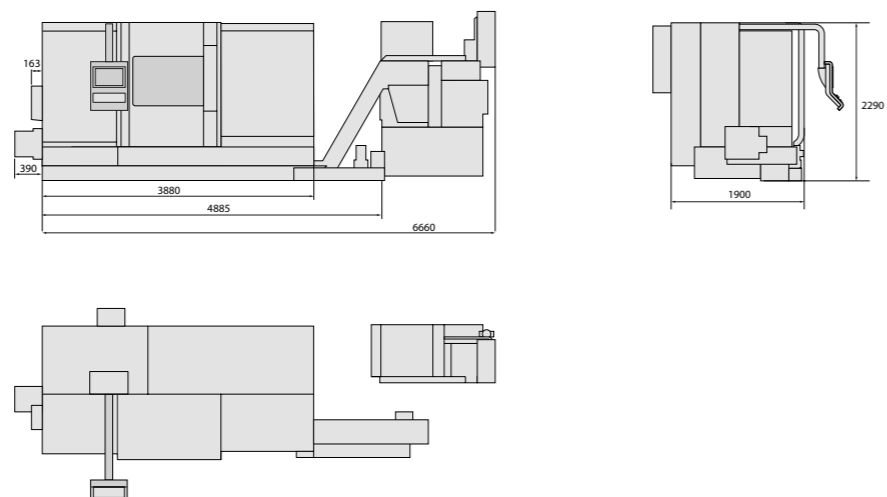
VDI 40 disk-type turret with tailstock



Installation plan for INDEX B400, B500 (turning length 750 mm)



Installation plan for B400/B500 (turning length 1,200 mm)

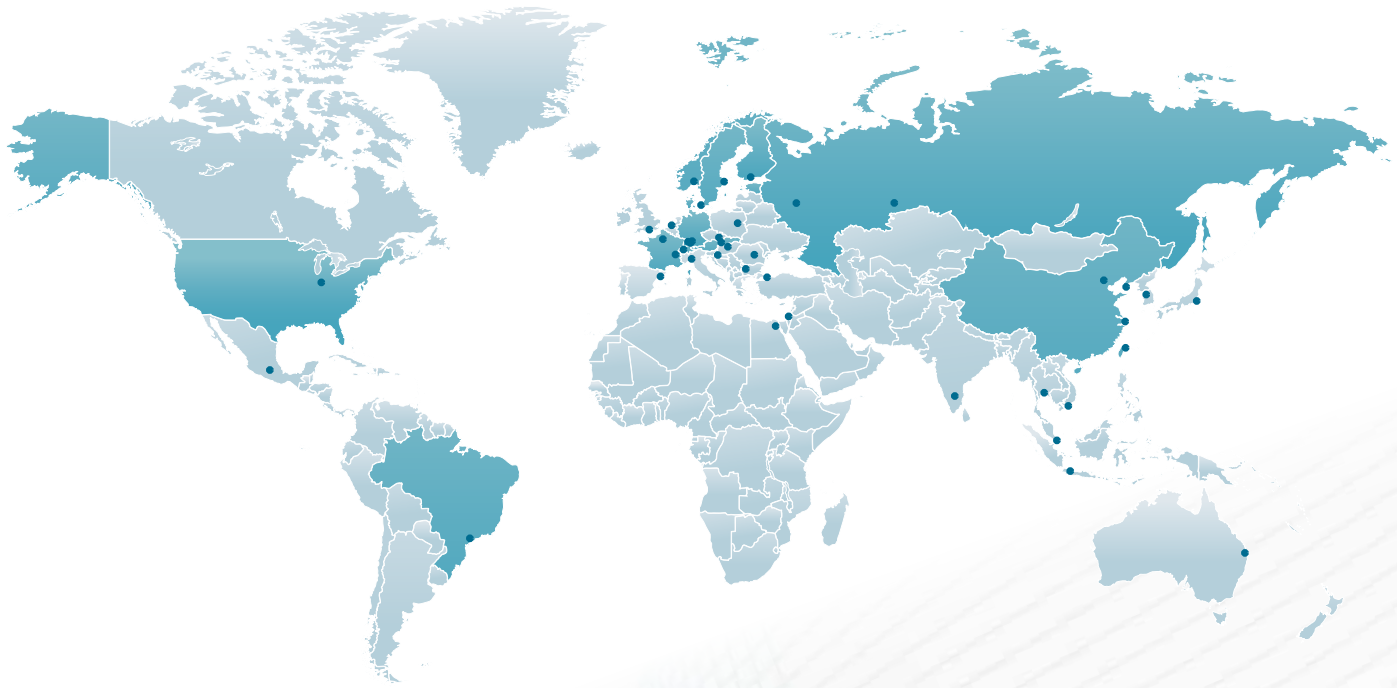


Technical data INDEX B400

Work area			
Turning length	mm	750	
Main spindle			
Spindle clearance	mm	82	
Spindle nose DIN 55026	Size	A8	
Max. chuck	mm	315	
Max. speed	rpm	4,000	
Drive power (100%/40% DC)	kW	30/38	
Torque (100%/40% DC)	Nm	375/460	
Counter spindle			
Spindle clearance	mm	65	
Spindle nose DIN 55026	Size	A6	
Max. chuck	mm	175	
Max. speed	rpm	4,000	
Drive power (100% / 40% DC)	kW	8/11	
Torque (100%/40% DC)	Nm	86/126	
Tool turret	Radial turret	Disk-type turret	
Tool mountings DIN 69880	Number	18 VDI 30/VDI 40	12 VDI 40
Live tools	Number	18/18	12
Max. speed	rpm	6,000/5,400	5,400
Drive power (25% DC)	kW	9.5/16.5	16.5
Torque (25% DC)	Nm	19.5/37	37
Slide travel X	mm	360/360	360
Slide travel Y	mm	±60 / ±60	±60
Slide travel Z	mm	750/750	750
Feed force X (63% DC)	N	11,900	11,900
Feed force Y (63% DC)	N	11,700	11,700
Feed force Z (63% DC)	N	11,900	11,900
Rapid traverse rate X/Y/Z	m/min	40/20/40	40/20/40
Tailstock			
Mounting		MK 5/SK 30	
Max. pressing force	N	10,000	
Rapid traverse rate	m/min	8.5	
Cooling lubricant unit (basic unit)			
Pump pressure	bar	8/20	
Tank capacity	l	300	
Pump capacity 8/20 bar	l/min	80/30	
Degree of filtration	µm	200	
Machine dimensions			
Length x width x height	mm	3,244 x 1,900 x 2,290	
Weight	kg	7,800	
Connected power	kW, kVA, A, Hz	40 kW, 47 kVA, 68 A, 50/60 Hz	

Technical data INDEX B500

Work area		B500 DL 750	B500 DL 1,200		
Turning length	mm	750	1,200		
Main spindle					
Spindle clearance	mm	102	102		
Spindle head ISO 702/1 DIN 55026	Size	A11	A11		
Max. chuck	mm	400	400		
Max. speed	rpm	3,150	3,150		
Drive power (100%/40% DC)	kW	25/37.5	25/37.5		
Torque (100%/40% DC)	Nm	750/1,120	750/1,120		
Counter spindle					
Spindle clearance	mm	82	82		
Spindle nose	Size	A8	A8		
Max. chuck	mm	250	250		
Max. speed	rpm	3,150	3,150		
Drive power (100% / 40% DC)	kW	7.5/11	7.5/11		
Torque (100%/40% DC)	Nm	135/220	135/220		
Tool turret		Radial turret	Disk-type turret	Radial turret	Disk-type turret
Tool mountings DIN 69880, DIN ISO 10889	Number	18 / VDI 40	12 / VDI 40	18 / VDI 40	12 / VDI 40
Live tools	Number	18	12	18	12
Max. speed	rpm	6,000	5,400	6,000	5,400
Drive power (25% DC)	kW	16.5	9	16.5	9
Torque (25% DC)	Nm	37	37	37	37
Slide travel X	mm	360	360	360	360
Slide travel Y	mm	±60	±60	±60	±60
Slide travel Z	mm	750	750	1,200	1,200
Feed force X (63% DC)	N	11,900	11,900	11,900	11,900
Feed force Y (63% DC)	N	11,700	11,700	11,700	11,700
Feed force Z (63% DC)	N	11,900	11,900	11,900	11,900
Rapid traverse rate X/Y/Z	m/min	40/20/40	40/20/40	40/20/40	40/20/40
Tailstock					
Mounting		MK 5/SK 30		MK 5/SK 30	
Max. pressing force	N	10,000		10,000	
Rapid traverse rate	m/min	8.5		8.5	
Cooling lubricant unit (basic unit)					
Pump pressure	bar	8/20		8/20	
Tank capacity	l	300		300	
Pump capacity 8/20	l/min	80/30		80/30	
Degree of filtration	µm	200		200	
Machine dimensions					
Length x width x height	mm	3,690 x 1,900 x 2,290		4,270 x 1,900 x 2,290	
Weight	kg	9,850		12,500	
Connected power	kW, kVA, A, Hz	54 kW, 65 kVA, 94 A, 50/60 Hz		54 kW, 65 kVA, 94 A, 50/60 Hz	



BRAZIL | Sorocaba
INDEX Tornos Automaticos Ind. e Com. Ltda.
Rua Joaquim Machado 250
18087-280 Sorocaba - SP
Phone +55 15 2102 6017
info@index-traub.com.br
www.index-traub.com.br

CHINA | Shanghai
INDEX Trading (Shanghai) Co., Ltd.
No. 526, Fute East 3rd Road
Shanghai 200131
Phone +86 21 54176637
info@index-traub.cn
www.index-traub.cn

CHINA | Taicang
INDEX Machine Tools (Taicang) Co., Ltd.
1-1 Fada Road, Building no. 4
Ban Qiao, Cheng Xiang Town
215413 Taicang, Jiangsu
Phone +86 512 5372 2939
taicang@index-traub.cn
www.index-traub.cn

DENMARK | Langskov
INDEX TRAUB Danmark
Havretoften 1
5550 Langskov
Phone +45 30681790
info@index-traub.dk
www.index-traub.dk

GERMANY | Esslingen
INDEX-Werke GmbH & Co. KG Hahn & Tessky
Plochinger Strasse 92
73730 Esslingen
Phone +49 711 3191-0
info@index-werke.de
www.index-werke.de

GERMANY | Deizisau
INDEX-Werke GmbH & Co. KG Hahn & Tessky
Plochinger Strasse 44
73779 Deizisau
Phone +49 711 3191-0
info@index-werke.de
www.index-werke.de

GERMANY | Reichenbach
INDEX-Werke GmbH & Co. KG Hahn & Tessky
Hauffstrasse 4
73262 Reichenbach
Phone +49 7153 502-0
info@index-werke.de
www.index-werke.de

FINLAND | Helsinki
INDEX TRAUB Finland
Hernepellontie 27
00710 Helsinki
Phone +358 10 843 2001
info@index-traub.fi
www.index-traub.fi

FRANCE | Paris
INDEX France S.à.r.l
12 Avenue d'Ouessant
Bâtiment I
91140 Villebon sur Yvette
Phone +33 1 69 18 76 76
info@index-france.fr
www.index-france.fr

FRANCE | Bonneville
INDEX France S.à.r.l
399, Av. de La Roche Parnale
74130 Bonneville Cedex
Phone +33 4 50 25 65 34
info@index-france.fr
www.index-france.fr

NORWAY | Oslo
INDEX-TRAUB Norge AB
Liadammen 23
1684 Vesterøy
Phone +47 93080550
info@index-traub.no
www.index-traub.no

SWEDEN | Stockholm
INDEX Nordic AB
Fagerstagatan 2
16308 Spånga
Phone +46 8 505 979 00
info@index-traub.se
www.index-traub.se

SWITZERLAND | St-Blaise
INDEX Werkzeugmaschinen (Schweiz) AG
Av. des Pâquiers 1
2072 St-Blaise
Phone +41 32 756 96 10
info@index-traub.ch
www.index-traub.ch

SLOVAKIA | Malacky
INDEX Slovakia s.r.o.
Vinohrádok 5359
901 01 Malacky
Phone +421 34 286 1000
info@index-werke.de
sk.index-traub.com

U.S.A. | Noblesville
INDEX Corporation
14700 North Pointe Boulevard
Noblesville, IN 46060
Phone +1 317 770 6300
info@index-usa.com
www.index-usa.com

Visit us on our social media channels:



INDEX

**INDEX-Werke GmbH & Co. KG
Hahn & Tessky**

Plochinger Strasse 92
D-73730 Esslingen, Germany

Phone +49 711 3191-0
Fax +49 711 3191-587
info@index-werke.de
www.index-werke.de